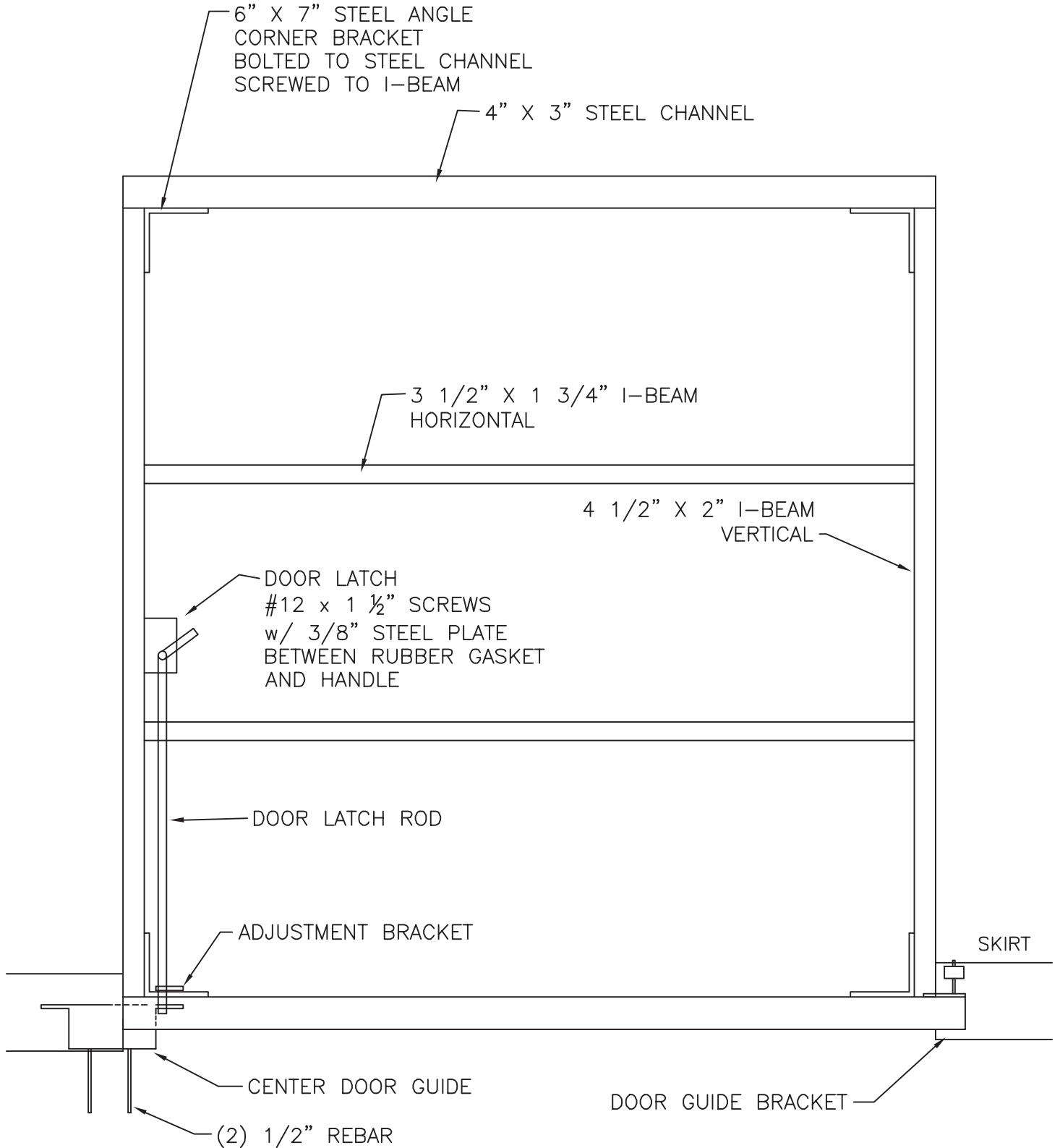


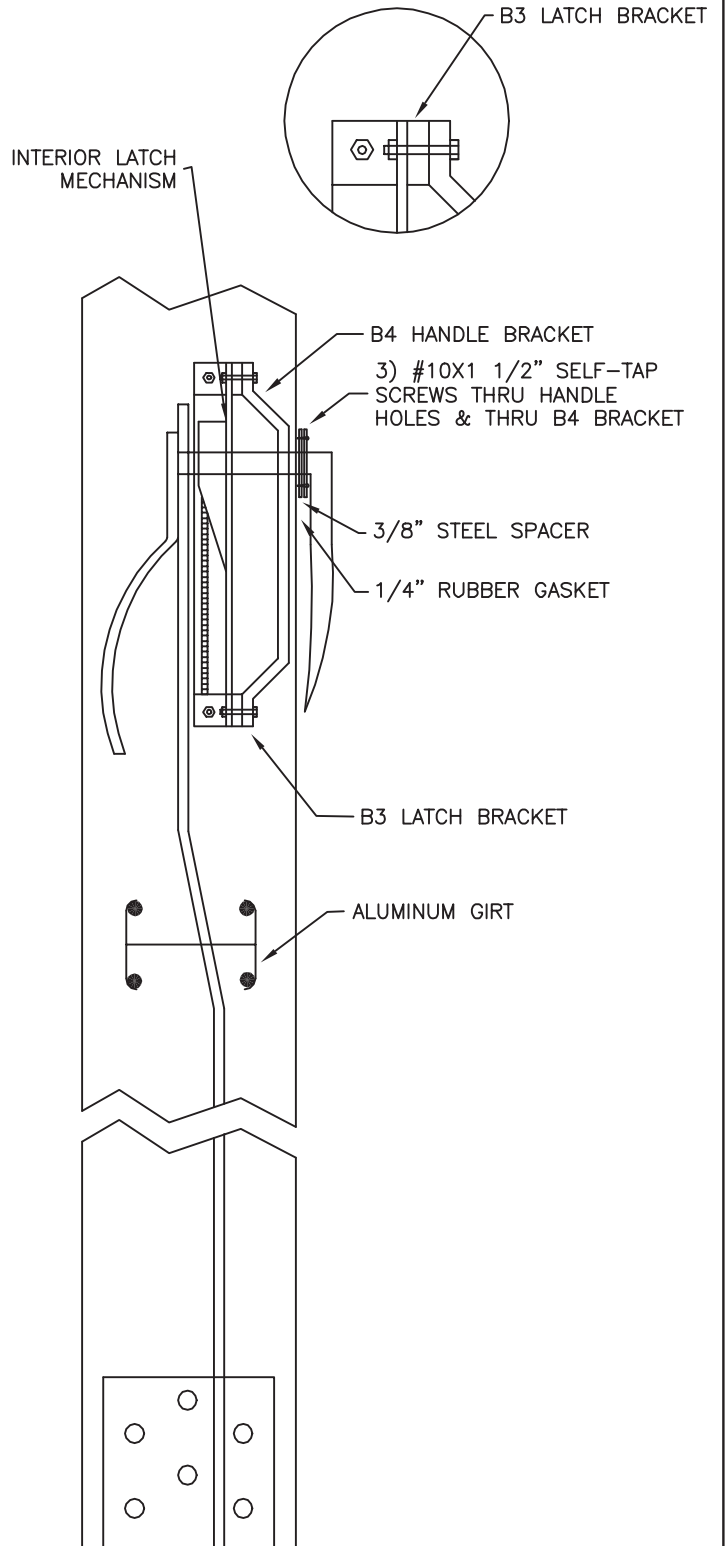
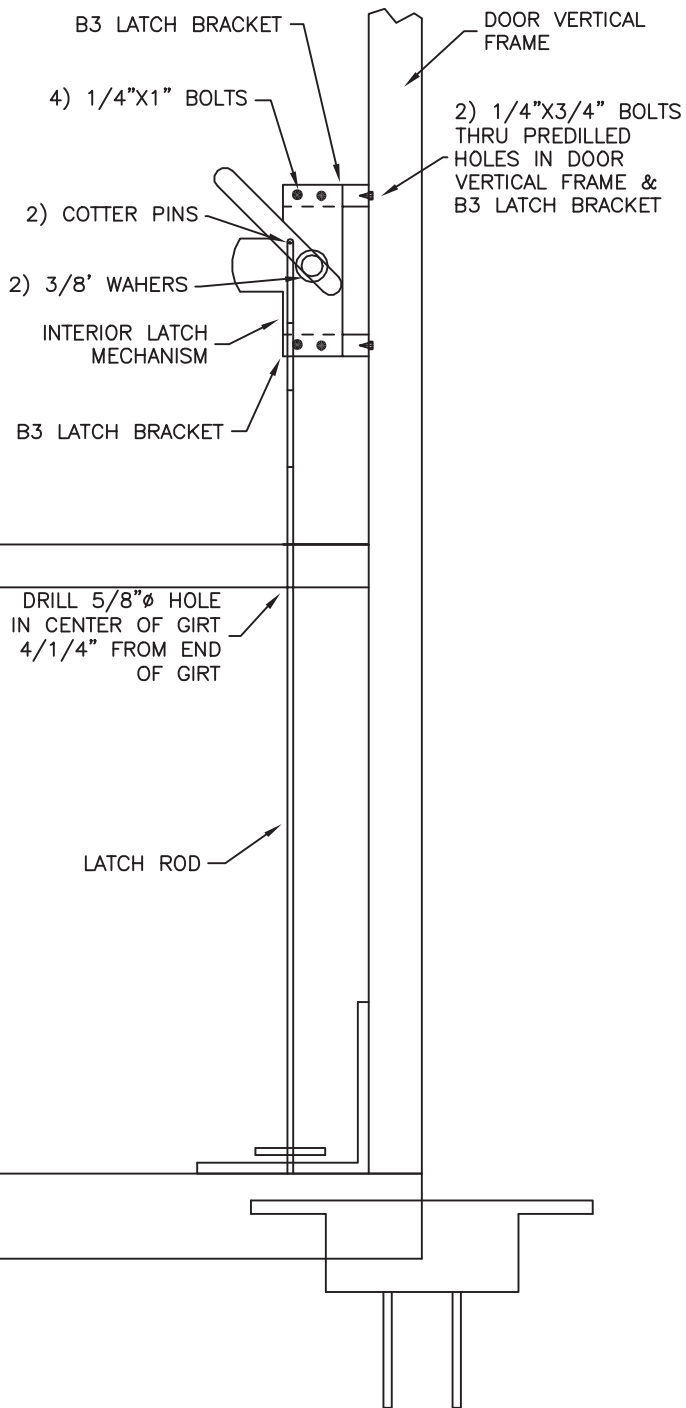
STANDARD I-BEAM DOORS DOOR ELEVATION



STANDARD I-BEAM DOORS

INSIDE VIEW OF LATCH HANDLE MECHANISM

SIDE VIEW OF LATCH HANDLE MECHANISM



STANDARD I-BEAM DOORS DOOR SECTION

