

# STANDARD I-BEAM DOORS

## STEEL BUILDING CROSS SECTION FOR SLIDING DOOR HEADER

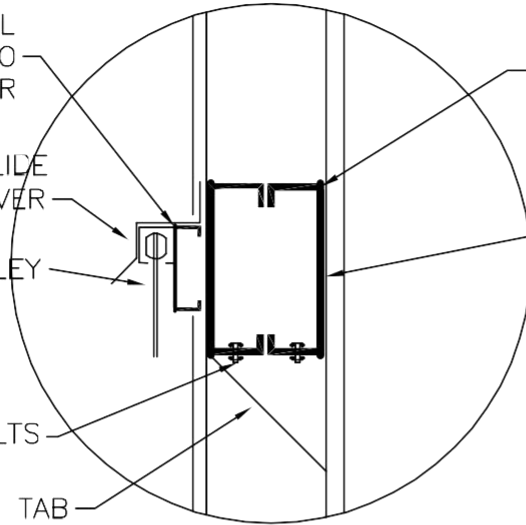
14 GA. 4X2 C CHANNEL  
WELDED OR BOLTED TO  
C STRUT HEADER

ULTRA GLIDE  
TRACK & COVER

ULTRA GLIDE TROLLEY

1/2" BOLTS

REINFORCING TAB



DOUBLE 12 GA. 8X4 C CHANNEL STRUT  
BOLTED TO COLUMN TAB - 25' BAY  
SPACING MAXIMUM.

DOUBLE 4X12 C HEADER OR 45lb  
12" I-BEAM HEADER SUPPORT -  
30 - 36' BAY SPACING

DOUBLE BOLTED WITH 1/2" STRUCTURAL  
BOLTS TO EACH VERTICAL COLUMN OR  
FULLY WELDED

